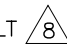
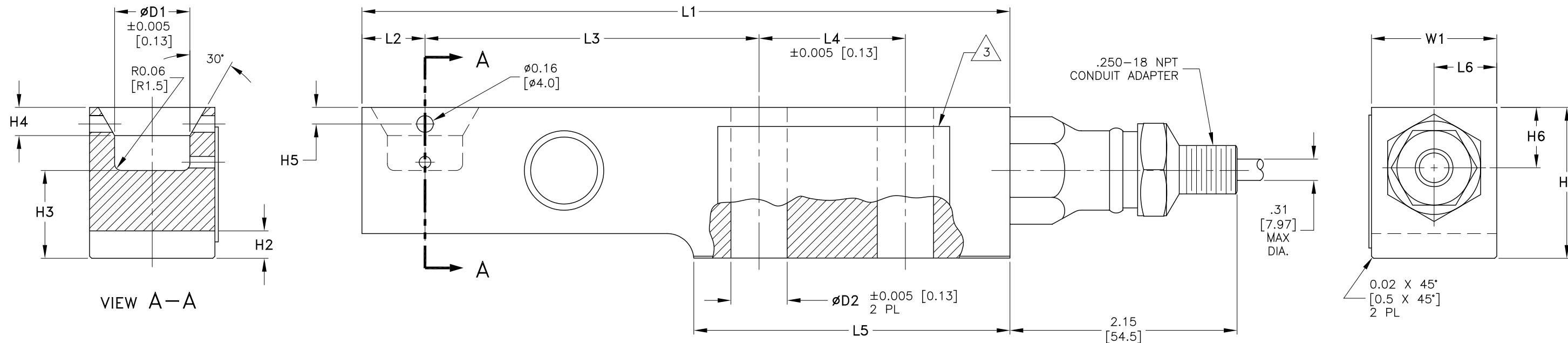


DIMENSIONS- INCHES & [mm]

TOLERANCES: ±0.010 [0.25] UNLESS OTHERWISE STATED

CAPACITY LBS [kN]	L1	L2	L3	L4	L5	L6	H1	H2	H3	H4	H5	H6	W1	∅D1	∅D2	BOLT 	TORQUE
1125 [5] 2.25K [10] 4.5K [20]	6.10 [155.0]	0.59 [15.0]	3.15 [80.0]	1.38 [35.0]	2.98 [75.7]	0.59 [15.0]	1.42 [36.0]	0.23 [5.8]	0.83 [21.0]	0.27 [6.9]	0.16 [4.1]	0.59 [15.0]	1.181±0.003 [30.0±0.08]	0.709 [18.0]	0.53 [13.5]	.500-20 UNC GRADE 5 [M12 8.8]	65 FT LBS [90Nm]
11.25K [50]	7.48 [190.0]	0.83 [21.0]	4.13 [105.0]	1.57 [40.0]	3.66 [93.0]	0.67 [17.0]	1.93 [49.0]	0.31 [8.0]	1.12 [28.5]	0.24 [6.0]	0.31 [8.0]	0.89 [22.5]	1.693±0.003 [43.0±0.08]	0.984 [25.0]	0.83 [21.0]	.750-10 UNC GRADE 5 [M20 8.8]	295 FT LBS [400Nm]
22.5K [100]	9.65 [245.0]	1.18 [30.0]	5.31 [135.0]	1.97 [50.0]	4.72 [120.0]	0.73 [18.5]	2.87 [73.0]	0.49 [12.5]	1.65 [42.0]	0.39 [10.0]	N/A	1.22 [31.0]	2.362±0.005 [60.0±0.13]	1.181 [30.0]	1.06 [27.0]	1.000-8 UNC GRADE 5 [M24 8.8]	515 FT LBS [700Nm]

REV.	ECO/DDC	DESCRIPTION	DATE	DRAFT	CHECK	APV'D
A	----	RELEASED FOR PUBLICATION.	12-13-06	V.J.C.	T.K.	V.J.C.
B	10173	REVISED PER ECN.	07-11-17	T.N.	S.N.	V.J.C.
B2	----	DDC; ADDED 1125LB, 2.25KLB & 4.5KLB LOAD SENSORS.	03-31-08	V.J.C.	S.N.	V.J.C.



 USE 2 EACH TO MOUNT LOAD SENSOR.

7. THIS DRAWING IS SUBJECT TO CHANGE WITHOUT NOTICE.

6. CABLE IS 6 CONDUCTOR, SHIELDED AND 20 FT. IN LENGTH. CABLE SHIELD IS FLOATING.

5. C2 WIRE COLOR CODE FLAG LABEL, PN 0530-0594, IS FOUND APPROX. 10 IN. FROM END OF CABLE.

EXCITATION + RED
 EXCITATION - BLACK
 SIGNAL + GREEN
 SIGNAL - WHITE
 C2 + GRAY
 C2 - VIOLET
 SHIELD YELLOW

4. CABLE WIRE ENDS ARE STRIPPED BACK 0.5 IN. AND TINNED. CABLE JACKET IS STRIPPED BACK APPROX. 5 IN.

 LOCATION OF SERIAL NUMBER LABEL, PN 0530-0345-XX.

2. MATERIAL: SENSOR- STAINLESS STEEL 17.4PH (1.4548). FITTINGS- PLASTIC.

1. RATED OUTPUT: 2mV/V ±0.002.

NOTES: UNLESS OTHERWISE SPECIFIED

PROPRIETARY NOTICE
 ALL DATA AND INFORMATION CONTAINED IN OR DISCLOSED BY THIS DOCUMENT IS CONFIDENTIAL AND PROPRIETARY INFORMATION OF HARDY INSTRUMENTS INC. AND ALL RIGHTS THEREIN ARE EXPRESSLY RESERVED. BY ACCEPTING THIS MATERIAL THE RECIPIENT AGREES THAT THIS MATERIAL AND THE INFORMATION CONTAINED THEREIN IS HELD IN CONFIDENCE AND IN TRUST AND SHALL NOT BE USED, COPIED, REPRODUCED IN WHOLE OR IN PART, NOR ITS CONTENTS REVEALED IN ANY MANNER TO OTHERS, EXCEPT TO MEET THE SPECIFIC PURPOSE FOR WHICH IT WAS DELIVERED.

CAPACITY LBS [kN]	MODEL NUMBER	PART NUMBER
1125 [5]	HI SB05-1125	0554-0032-03
2.25K [10]	HI SB05-2.25K	0554-0032-04
4.5K [20]	HI SB05-4.5K	0554-0032-05
11.25K [50]	HI SB05-11.25K	0554-0032-01
22.5K [100]	HI SB05-22.5K	0554-0032-02

ITEM	QTY	0588-0125	OUTLINE DRAWING, LOAD SENSOR, HI SB05 SERIES	COMMENTS
PARTS LIST				
UNLESS OTHERWISE SPECIFIED DIMENSIONS ARE IN INCHES TOLERANCES ARE: FRACTIONS: N/A DECIMALS: .XX AND .XXX = ±.010 ANGLES: N/A		CONTRACT NO.		HARDY INSTRUMENTS
MATERIAL		APPROVALS		
FINISH		DRAWN V. CHULA	DATE 12-12-06	
DO NOT SCALE DRAWING		CHECKED T. KOPCZYNSKI	DATE 12-12-06	
		APPROVED V. CHULA	DATE 12-13-06	
		ISSUED V. CHULA	DATE 12-13-06	TITLE OUTLINE DRAWING, LOAD SENSOR, HI SB05 SERIES
		PRODUCTION	DATE	SIZE D
				FSCM 21316
				DRAWING NO. 0588-0125
				REV. B
				FILE NAME: 588125B2.DWG
				SCALE: NONE
				SHEET 1 OF 1